

PG Series Pressure Gauges

- ✓ Lower and center back mount
- ✓ Brass or stainless steel internals
- ✓ Brass, 304 SS and 316 casings
- ✓ 1.5", 2.5" and 4" dials
- ✓ Liquid-filled



HYDRONIX PG SERIES PRESSURE GAUGES

are UV resistant, high quality pressure gauges designed with the OEM in mind. From the high grade synthetic fluid to our special chrome plated stems, we have designed a gauge that is not only accurate but durable.

HYDRONIX PG SERIES PRESSURE GAUGES

have easy to read two-tone dials printed in bold UV resistant ink for ease of legibility even after extensive exposure to direct sunlight. Every gauge is tested for accuracy and leakage. Hydronix PG Series pressure gauges are designed for demanding applications internationally such as reverse osmosis, oil refining, chemical, food processing plants and water treatment just to name a few.

PG SERIES SPECIFICATIONS		
	Part Number	Description
LOWER MOUNT	PG25100L	2.5" Stainless Steel Gauge, 0-100 psi, (7 kg/cm ²), 1/4" NPT
	PG25160L	2.5" Stainless Steel Gauge, 0-160 psi, (12 kg/cm ²), 1/4" NPT
	PG25200L	2.5" Stainless Steel Gauge, 0-200 psi, (14 kg/cm ²), 1/4" NPT
	PG25300L	2.5" Stainless Steel Gauge, 0-300 psi, (20 kg/cm ²), 1/4" NPT
CENTER BACK MOUNT	PG15150B	1.5" Stainless Steel Gauge, 0-150 psi, (10 kg/cm ²), 1/4" NPT, Back Flange
	PG25100B	2.5" Stainless Steel Gauge, 0-100 psi, (7 kg/cm ²), 1/4" NPT, Back Flange
	PG25160B	2.5" Stainless Steel Gauge, 0-160 psi, (12 kg/cm ²), 1/4" NPT, Back Flange
	PG25300B	2.5" Stainless Steel Gauge, 0-300 psi, (20 kg/cm ²), 1/4" NPT, Back Flange
	PG40100B	4" Stainless Steel Gauge, 0-100 psi, (7 kg/cm ²), 1/2" NPT, Back Flange, no logo
	PG40300B	4" Stainless Steel Gauge, 0-300 psi, (20 kg/cm ²), 1/2" NPT, Back Flange, no logo
	PGS40100B	4" Stainless Steel Gauge, 0-100 psi, (7 kg/cm ²), 1/2" NPT, Back Flange, no logo
PGS40300B	4" Stainless Steel Gauge, 0-300 psi, (20 kg/cm ²), 1/2" NPT, Back Flange, no logo	

Materials of Construction

- Casings: Brass, 304 SS and 316 SS
- Internals: Brass and 316 SS
- Stems: Chrome-plated brass, 304 SS or 316 SS
- Face: White Aluminum, Black and Blue Print
- Lens: Clear Acrylic
- Pointer: Aluminum, Black
- Fluid: UV Resistant Synthetic Silicone

Temperature Rating

- 0 °F (-18 °C) to 140 °F (60 °C)

Optional Features

- Custom dials
- Special connections
- Various case materials
- Custom Labeling

Model # Guide

Pressure Gauge Face Diameter Mount

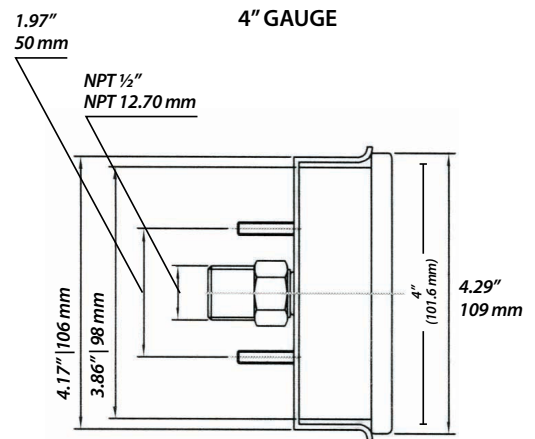
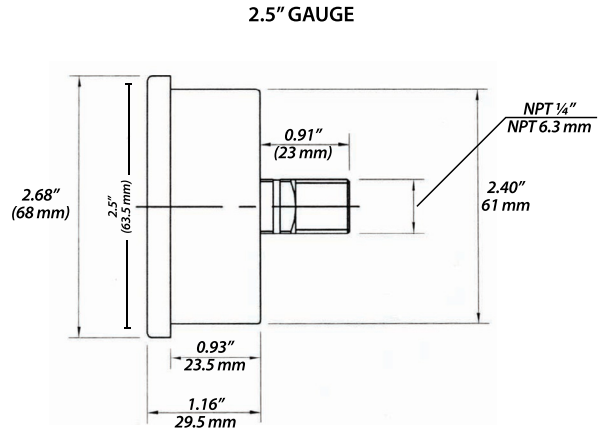
PG S 25 100 L

Case Material PSI Ranges

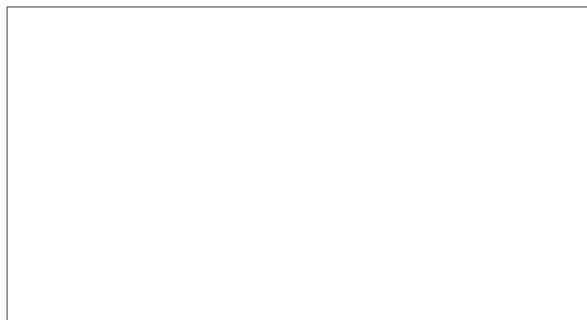
SS 316

LEGEND

Case Material:	S = All 316 SS	PSI Ranges:	100 = 0-100
	Case & Material		150 = 0-150
Face Diameter:	15 = 1.5"		160 = 0-160
	25 = 2.5"		200 = 0-200
	40 = 4.0"		300 = 0-300
Mounting:	B = Center Back (Flange Included)		400 = 0-400
	L = Lower/Bottom		600 = 0-600



Distributed by:



JUST ADD WATER™

P.O. Box 2235 Chino Hills, CA 91709 | USA
sales@hydronixwater.com • www.HydronixWater.com