

BF Series
 Stainless Steel Bag Filter Housings

- ✓ Swing bolt closure for quick and secure filter change-outs
- ✓ Heavy duty 304 stainless steel
- ✓ Legs are standard

HYDRONIX BF SERIES BAG FILTER HOUSINGS

are ideal for most industrial/commercial applications. Our welded leg design as a standard feature, eliminates the added expense to your application. Commonly used for pre-filtration to reverse osmosis (RO) systems, farms, food service, car washes, agriculture and many other uses.

HYDRONIX BF SERIES BAG FILTER HOUSINGS

use a high grade 304 stainless steel as standard (not "L"), which is a lower grade stainless steel used by other brands.



BF SERIES SPECIFICATIONS			
Part Number	Description	FLOW RATE	
		GPM	LPM
BF1-304-2N	304SS Bag Filter Housing, 150 PSI, 2" FNPT	90	341
BF2-304-2N	304SS Bag Filter Housing, 150 PSI, 2" FNPT	180	681

Flow rates are based on water and are for guidelines only.

BF SERIES SPECIFICATIONS							
	Part Number	Description	Flow Rate (GPM)	Flow Rate (LPM)	Case Qty	Weight (lbs)	Weight (kgs)
HOUSING	BF1-304-2N	304SS Bag Filter Housing, 150 PSI, 2" FNPT	90	341	1	60	27.22
	BF2-304-2N	304SS Bag Filter Housing, 150 PSI, 2" FNPT	180	681	1	80	36.29

Flow rates are based on water and are for guidelines only.



BF SERIES

Stainless Steel Bag Filter Housings
Data Sheet

Materials of Construction

Housing: 304 stainless steel
 Closure: Stainless Steel
 O-Ring: EPDM (FDA Grade)

Operating Data

Max. Pressure/Temp: 150 PSI at 200°F
 (10.34 bar at 93.33°C)

Bag Filter Housing Dimensions

Model	A Body Width	B Legs Length	C Outlet to Inlet	D Inlet to cover	E Cover	F Foot Print Radius (PCD)	G Hinge to Vent
BF1	8.86 in 210 mm	19.84 in 504 mm	20.86 in 530 mm	4.92 in 125 mm	2.55 in 65 mm	ø 13.07 in ø 332 mm	5.62 in 143 mm
BF2	8.86 in 210 mm	27.71 in 704 mm	35.82 in 910 mm	4.92 in 125 mm	2.55 in 65 mm	ø 13.07 in ø 332 mm	5.62 in 143 mm

Port Dimensions

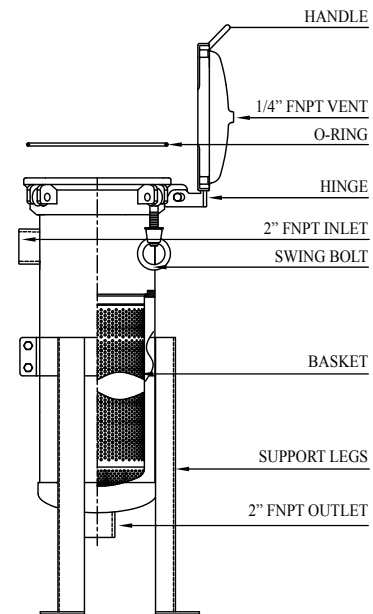
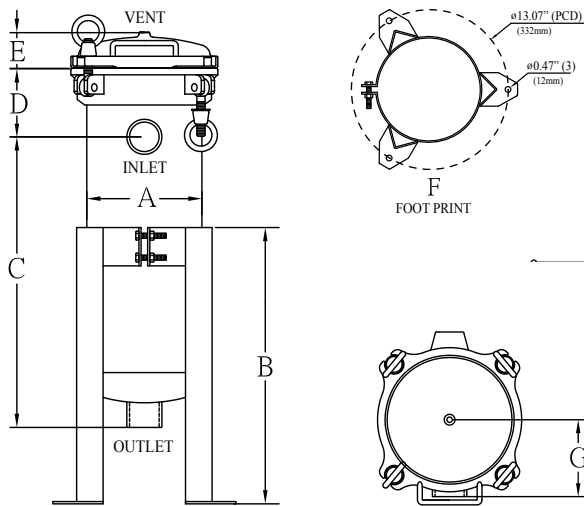
Vent: 1/4" NPT Inlet: 2" NPT
 Drain: 3/4" NPT Outlet: 2" NPT

Standard Features

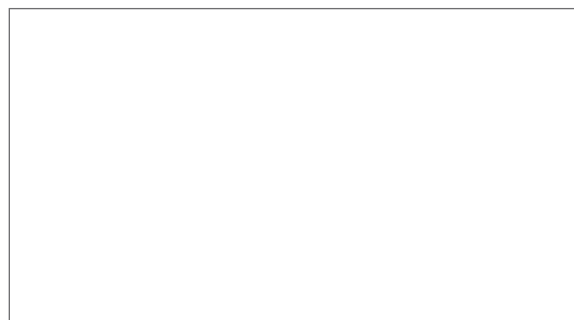
- Electropolished
- Adjustable legs

Basket Dimensions

For BF1: 13.78" x 6.75"
 (350mm x 171.5mm)
 For BF2: 28.74" x 6.75"
 (730mm x 171.5mm)



Distributed by:



JUST ADD WATER™

P.O. Box 2235 Chino Hills, CA 91709 | USA
 sales@hydronixwater.com • www.HydronixWater.com