



Lower and center back mount

Brass, 304 SS and 316 casings

Brass or stainless steel internals

1.5", 2.5" and 4" dials

Dry or liquid-filled

HYDRONIX PG SERIES PRESSURE GAUGES

are UV resistant, high quality pressure gauges designed with the OEM in mind. From the high grade synthetic fluid to our special chrome plated stems, we have designed a gauge that is not only accurate but durable.

HYDRONIX PG SERIES PRESSURE GAUGES

have easy to read two-tone dials printed in bold UV resistant ink for ease of legibility even after extensive exposure to direct sunlight. Every gauge is tested for accuracy and leakage. Hydronix PG-Series pressure gauges are designed for demanding applications internationally such as reverse osmosis, oil refining, chemical, food processing plants and water treatment just to name a few.



PG SERIES

Pressure Gauges

Materials of Construction

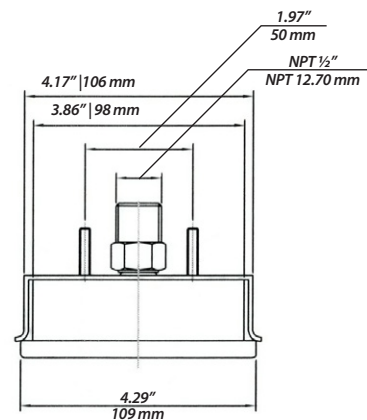
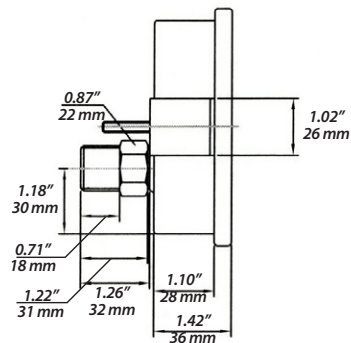
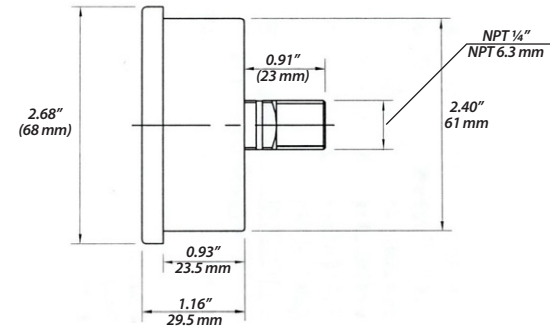
Casings:	Brass, 304 SS and 316 SS
Internals:	Brass and 316 SS
Stems:	Chrome-plated brass, 304 SS or 316 SS
Face:	White aluminum, black or blue print
Lens:	Clear Acrylic
Pointer:	Aluminum, black
Fluid:	UV resistant synthetic silicone

Operating Data

Temp. Rating: 0°F (-18°C) to 140°F (60°C)

Optional Features

- Custom dials
- Special connections
- Various case materials
- Custom labeling



LF SERIES SPECIFICATIONS		
	Part Number	Description
LOWER MOUNT	PG25100L	2.5" Gauge, 0-100 PSI S.S. 1/4" NPT, Lower Mount
	PG25160L	2.5" Gauge, 0-160 PSI S.S. 1/4" NPT, Lower Mount
CENTER BACK MOUNT	PG15150B	1.5" Gauge, 0-150 PSI S.S. 1/4" NPT, Back Flange
	PG25100B	2.5" Gauge, 0-100 PSI S.S. 1/4" NPT, Back Flange
	PG25160B	2.5" Gauge, 0-160 PSI S.S. 1/4" NPT, Back Flange
	PG25300B	2.5" Gauge, 0-300 PSI S.S. 1/4" NPT, Back Flange
	PG40100B	4" Gauge, 0-100 PSI S.S. 1/4" NPT, Back Flange
	PG40300B	4" Gauge, 0-300 PSI S.S. 1/4" NPT, Back Flange
	PGS40100B	4" Gauge, 0-100 PSI All S.S. 1/4" NPT, Back Flange
	PGS40300B	4" Gauge, 0-300 PSI All S.S. 1/4" NPT, Back Flange

Model # Guide

Pressure Gauge	Face Diameter	Mount
PG	S	25
	100	L
Case Material	PSI Ranges	
SS 316		

LEGEND

Case Material:	S = All 316 SS	PSI Ranges:	100 = 0-100
	Case & Material		150 = 0-150
Face Diameter:	15 = 1.5"		160 = 0-160
	25 = 2.5"		200 = 0-200
	40 = 4.0"		300 = 0-300
Mounting:	B = Center Back (Flange Included)		400 = 0-400
	L = Lower/Bottom		600 = 0-600

Distributed by:

LIT-PG-SS 05/03/16

HYDRONIX WATER TECHNOLOGY

P.O. Box 2235 Chino Hills, CA 91709 | USA

sales@hydronixwater.com • www.HydronixWater.com